

Serena Series Cedar Log Sauna



By Steam Sauna

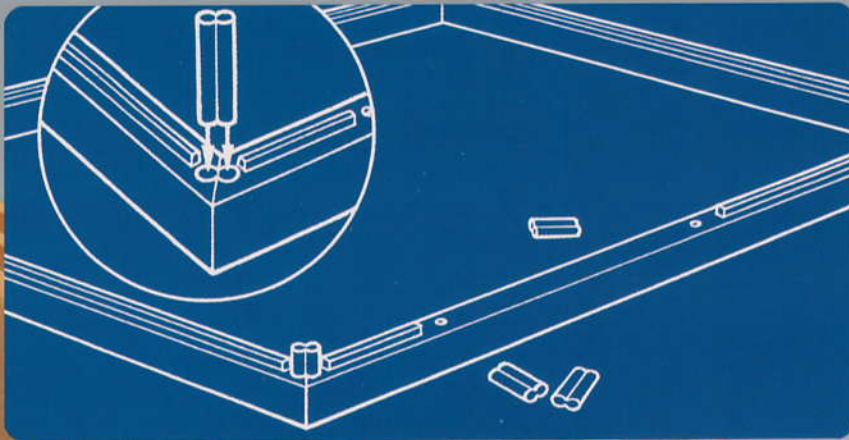
The luxury of a Cedar Sauna

Serena Cedar Log Sauna built to your specifications, comes with step-by-step instructions.

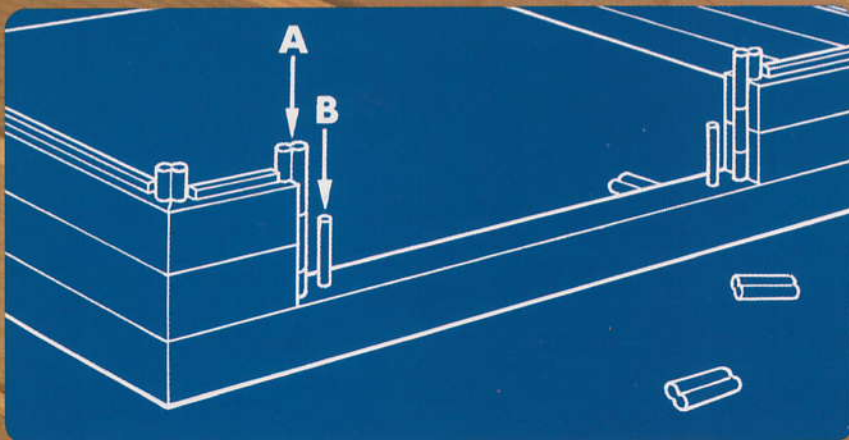
Now you can build your own log sauna from our pre-cut Do-it-yourself Kit, thanks to the revolutionary Dowel-lock system. No nails, no glue.

NEW

Fast and Easy Assembly Breakthrough



1 Select the four marked base logs from the package, set them together as shown above and push down a Dowel-lock tie in each corner, layer by layer.



2 Each layer is done exactly the same. A and B indicate position for the ties and dowels in readiness for door posts.

THE DOWEL-LOCK TIE



The logs are locked together by double tongue and groove structural strength. The breakthrough in the corner joint.

...a you can assemble yourself

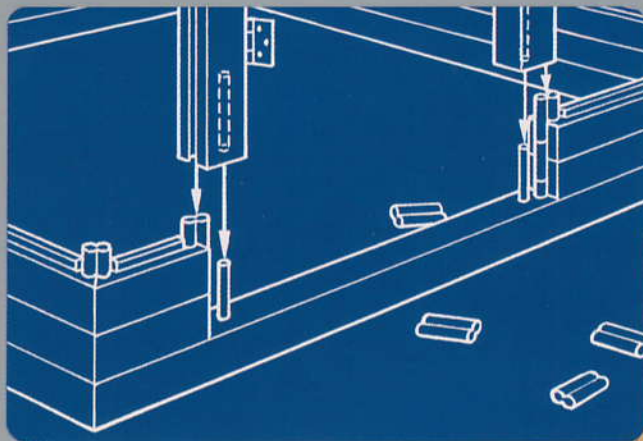
Serena Cedar Log Sauna can be used free-standing or to line an existing enclosure.

Assembled in just a few hours, Serena Saunas do not require additional insulation or a vapor barrier – saving you time and money.

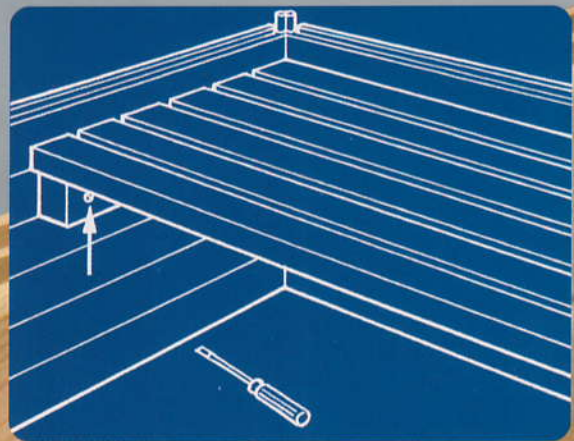


Serena

from SteamSauna



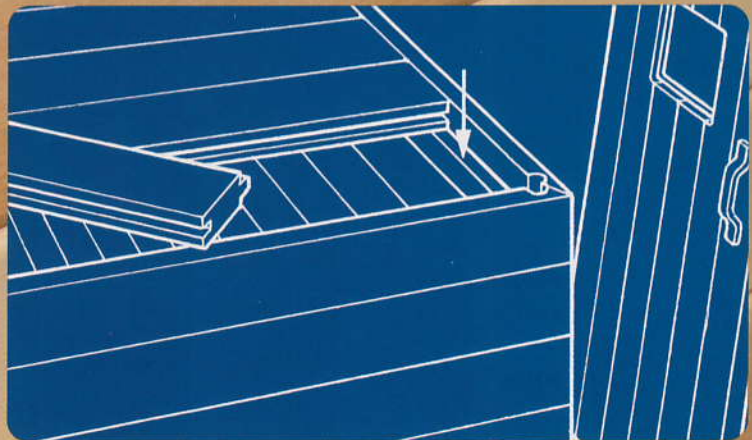
3 The door posts are marked. Set them in place as shown above, at about the third or fourth layer of logs.



4 The bench is pre-drilled. All you need is a screw driver to attach it to the log wall.



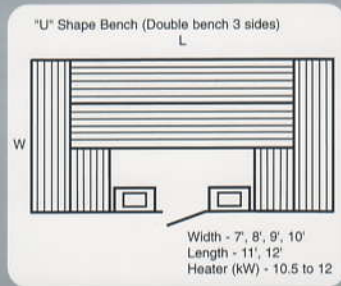
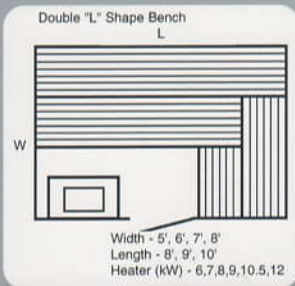
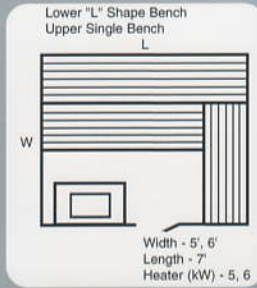
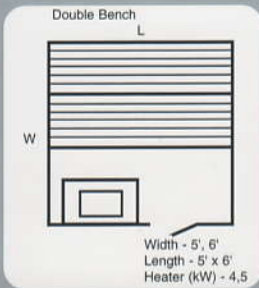
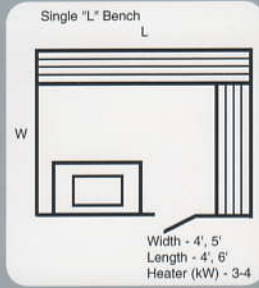
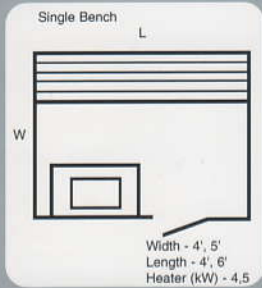
5 Place the pre-drilled log above the door and build to final height.



6 Ceiling planks rest on the top logs, which have rebated steps. The pre-assembled door comes ready to hang.

Choose a *Serena* model to suit your space

Typical Serena Sauna Layouts



Choose from one of the layouts shown or let us build to your requirements.

Custom built



The Serena Log Sauna comes to you complete and ready for assembly.

With the flick of a switch you can have the heat of the tropics in your club, spa or home.



Bring the pleasures and benefits of a sauna into your life.

Serena's warm and generous heart

is a long-life heater designed to save space and radiate maximum heat with minimum use of power. We offer a full range of wall and floor mounted heaters with time & temperature controls to meet your specific requirements.



Serena Log Sauna

U.S.A.
Toll Free: (800) 354-8462
Tel: (716) 838-8003
Fax: (716) 838-6600
www.steam-sauna.com



Canada
Toll Free: (800) 387-0309
Tel: (416) 787-1711
Fax: (416) 785-9388
email: sales@steam-sauna.com